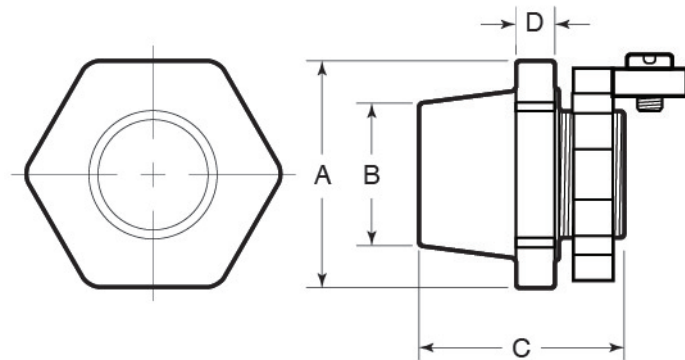
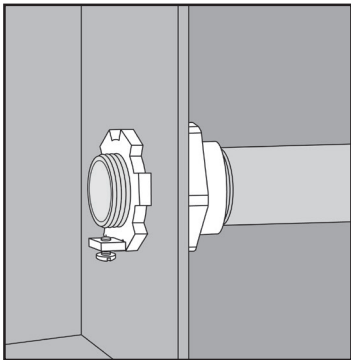


# STAINLESS STEEL GROUNDING HUBS



## APPLICATION

- Designed for use with threaded conduit
- Provide a means of connecting conduit to various enclosures and/or for terminating electric circuits
- Grounding lug and screw provide a secure connection for ground wiring
- Manufactured in stainless steel to help prevent corrosion
- Can be installed using ordinary hand tools and require little maintenance or repair
- Provided in a bright, polished finish that does not require touch up or painting



## PRODUCT DETAILS

### Material:

- Body, Locknut: CF8M (316 SS)
- Grounding Screw: 316 SS

### Standards:

ASTM A351, ASTM F593

### Country of Origin:

100% Made in USA

Part Number	Conduit Size	Weight/100 (lbs.)	Dimension (in.)			
			A	B	C	D
7050-G-HUB	½ in.	22	1.31	1.07	1.32	0.25
7075-G-HUB	¾ in.	34	1.63	1.27	1.50	0.31
7100-G-HUB	1 in.	49	1.88	1.54	1.75	0.31
7125-G-HUB	1-¼ in.	73	2.25	1.95	1.81	0.38
7150-G-HUB	1-½ in.	87	2.56	2.23	1.81	0.38
7200-G-HUB	2 in.	114	3.06	2.65	1.85	0.38
7250-G-HUB	2-½ in.	192	3.60	3.20	2.40	0.42
7300-G-HUB	3 in.	334	4.50	3.89	2.75	0.50
7400-G-HUB	4 in.	459	5.38	4.97	3.00	0.56

